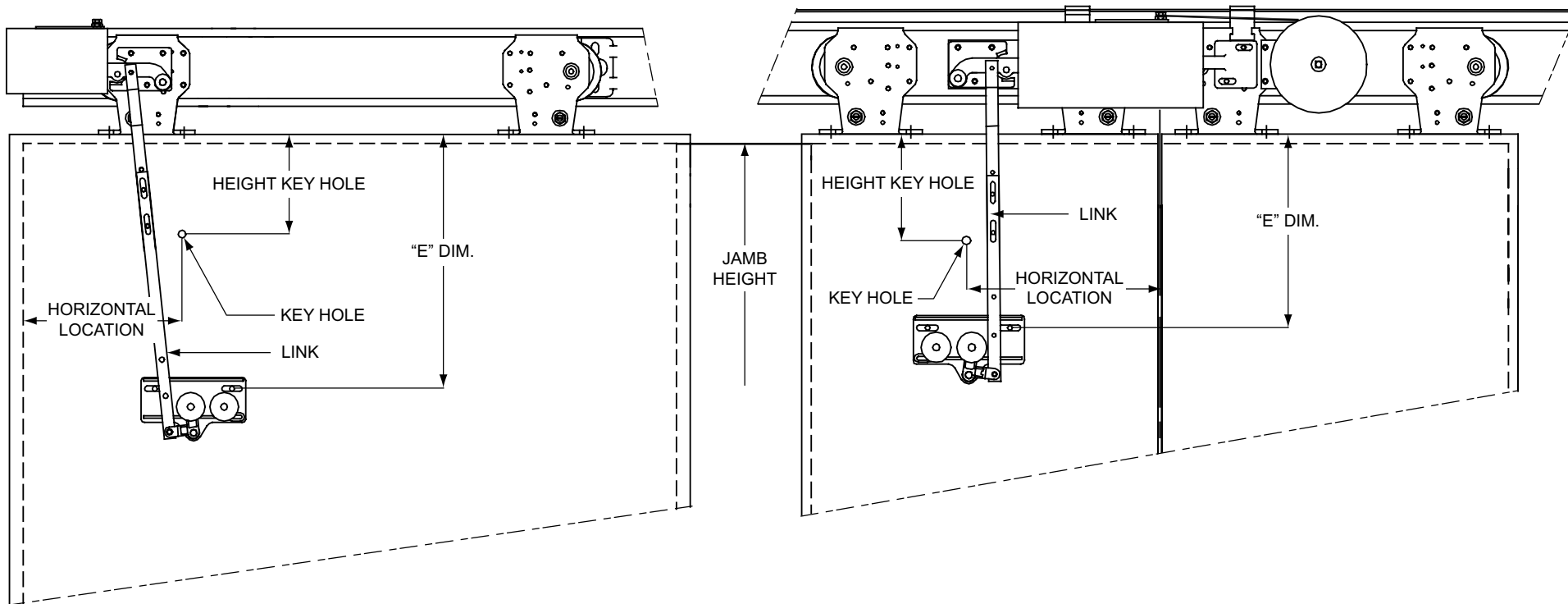




Emergency Key Hole Location and "MO" Interlock Data Table

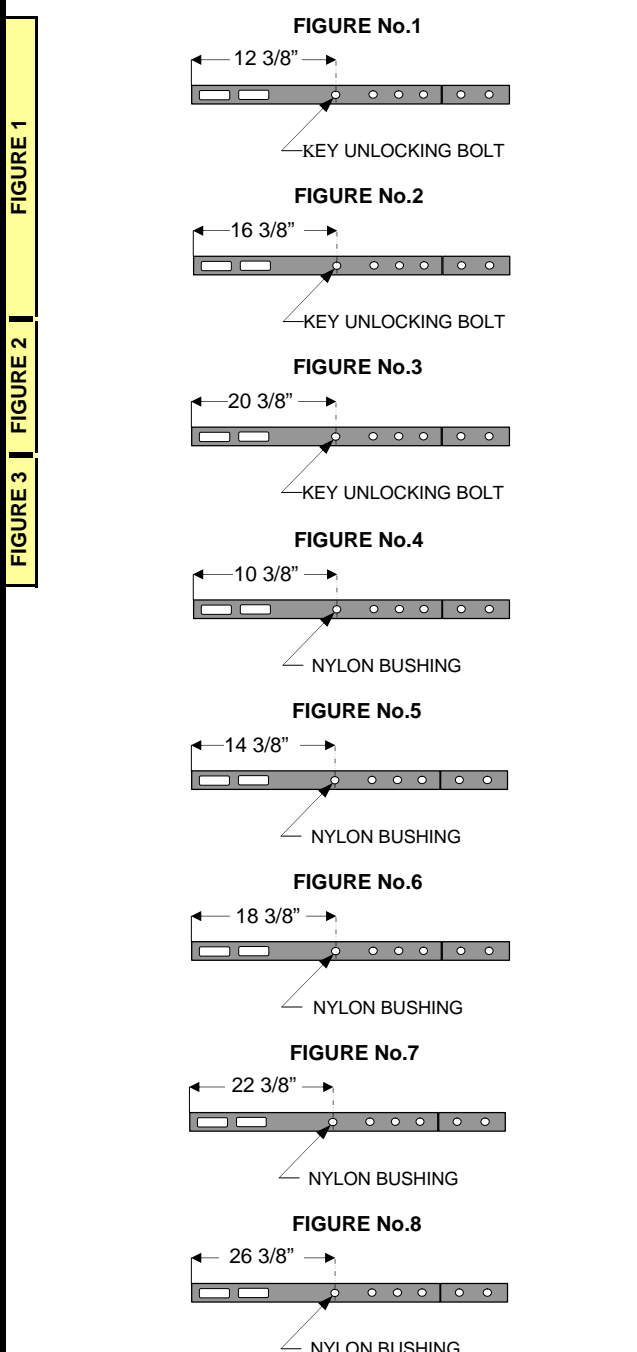


**SINGLE SPEED DOOR SHOWN
TWO SPEED DOORS SIMILAR**

**CENTER PARTING DOORS SHOWN
TWO SPEED CENTER PARTING DOORS SIMILAR**

Emergency Key Hole Location and "MO" Interlock Data Table

JAMB HEIGHT	"E" DIM. = 10"					"E" DIM. = 14"					"E" DIM. = 18"					"E" DIM. = 22"					"E" DIM. = 26"					"E" DIM. = 30"					"E" DIM. = 34"				
	HEIGHT KEY HOLE	HORIZONTAL LOCATION				HEIGHT KEY HOLE	HORIZONTAL LOCATION				HEIGHT KEY HOLE	HORIZONTAL LOCATION				HEIGHT KEY HOLE	HORIZONTAL LOCATION				HEIGHT KEY HOLE	HORIZONTAL LOCATION				HEIGHT KEY HOLE	HORIZONTAL LOCATION				HEIGHT KEY HOLE	HORIZONTAL LOCATION			
		LINK SIZE	S/S & 2/S	CP & 2S/CP	2S/CP 33-59 D.O.		LINK SIZE	S/S & 2/S	CP & 2S/CP	2S/CP 33-59 D.O.		LINK SIZE	S/S & 2/S	CP & 2S/CP	2S/CP 33-59 D.O.		LINK SIZE	S/S & 2/S	CP & 2S/CP	2S/CP 33-59 D.O.		LINK SIZE	S/S & 2/S	CP & 2S/CP	2S/CP 33-59 D.O.		LINK SIZE	S/S & 2/S	CP & 2S/CP	2S/CP 33-59 D.O.		LINK SIZE	S/S & 2/S	CP & 2S/CP	2S/CP 33-59 D.O.
88	14	A	10	10	7 1/2"	8	A	9	10	8 1/2"	12	B	9	10	8 1/2"	14	D	9	10	8 1/2"	14	E	9	10	8 1/2"	14	F	9	10	8 1/2"	14	F	9	10	8 1/2"
89	14	A	10	10	7 1/2"	8	A	9	10	8 1/2"	12	B	9	10	8 1/2"	14	D	9	10	8 1/2"	14	E	9	10	8 1/2"	14	F	9	10	8 1/2"	14	F	9	10	8 1/2"
90	14	A	10	10	7 1/2"	8	A	9	10	8 1/2"	12	B	9	10	8 1/2"	16	C	9	10	8 1/2"	14	E	9	10	8 1/2"	14	F	9	10	8 1/2"	14	F	9	10	8 1/2"
91	14	A	10	10	7 1/2"	10	A	9	10	8 1/2"	12	B	9	10	8 1/2"	16	C	9	10	8 1/2"	14	E	9	10	8 1/2"	14	F	9	10	8 1/2"	14	F	9	10	8 1/2"
92	14	A	10	10	7 1/2"	10	A	9	10	8 1/2"	12	B	9	10	8 1/2"	16	C	9	10	8 1/2"	14	E	9	10	8 1/2"	14	F	9	10	8 1/2"	14	F	9	10	8 1/2"
93	14	A	10	10	7 1/2"	18	B	10	10	7 1/2"	12	B	9	10	8 1/2"	16	C	9	10	8 1/2"	14	E	9	10	8 1/2"	14	F	9	10	8 1/2"	14	F	9	10	8 1/2"
94	14	A	10	10	7 1/2"	18	B	10	10	7 1/2"	12	B	9	10	8 1/2"	16	C	9	10	8 1/2"	20	D	9	10	8 1/2"	14	F	9	10	8 1/2"	14	F	9	10	8 1/2"
95	14	A	10	10	7 1/2"	18	B	10	10	7 1/2"	14	B	9	10	8 1/2"	16	C	9	10	8 1/2"	20	D	9	10	8 1/2"	14	F	9	10	8 1/2"	14	F	9	10	8 1/2"
96	14	A	10	10	7 1/2"	18	B	10	10	7 1/2"	14	B	9	10	8 1/2"	16	C	9	10	8 1/2"	20	D	9	10	8 1/2"	14	F	9	10	8 1/2"	14	F	9	10	8 1/2"
97	16	A	10	10	7 1/2"	18	B	10	10	7 1/2"	22	C	10	10	7 1/2"	16	C	9	10	8 1/2"	20	D	9	10	8 1/2"	18	F	9	10	8 1/2"	18	F	9	10	8 1/2"
98	16	A	10	10	7 1/2"	18	B	10	10	7 1/2"	22	C	10	10	7 1/2"	16	C	9	10	8 1/2"	20	D	9	10	8 1/2"	24	E	9	10	8 1/2"	18	F	9	10	8 1/2"
99	18	B	10	10	7 1/2"	18	B	10	10	7 1/2"	22	C	10	10	7 1/2"	18	C	9	10	8 1/2"	20	D	9	10	8 1/2"	24	E	9	10	8 1/2"	18	F	9	10	8 1/2"
100	18	B	10	10	7 1/2"	18	B	10	10	7 1/2"	22	C	10	10	7 1/2"	18	C	9	10	8 1/2"	20	D	9	10	8 1/2"	24	E	9	10	8 1/2"	18	F	9	10	8 1/2"
101	20	B	10	10	7 1/2"	20	B	10	10	7 1/2"	22	C	10	10	7 1/2"	26	D	10	10	7 1/2"	20	D	9	10	8 1/2"	24	E	9	10	8 1/2"	22	F	9	10	8 1/2"
102	20	B	10	10	7 1/2"	20	B	10	10	7 1/2"	22	C	10	10	7 1/2"	26	D	10	10	7 1/2"	20	D	9	10	8 1/2"	24	E	9	10	8 1/2"	22	F	9	10	8 1/2"
103	22	D	11 (1) 10 (2)	10	7	22	C	10	10	7 1/2"	22	C	10	10	7 1/2"	26	D	10	10	7 1/2"	22	D	9	10	8 1/2"	24	E	9	10	8 1/2"	22	F	9	10	8 1/2"
104	22	D	11 (1) 10 (2)	10	7	22	C	10	10	7 1/2"	22	C	10	10	7 1/2"	26	D	10	10	7 1/2"	22	D	9	10	8 1/2"	24	E	9	10	8 1/2"	30	F	9	10	8 1/2"
105	24	D	11 (1) 10 (2)	10	7	24	C	10	10	7 1/2"	24	C	10	10	7 1/2"	26	D	10	10	7 1/2"	30	E	10	10	7 1/2"	24	E	9	10	8 1/2"	30	F	9	10	8 1/2"
106	24	D	11 (1) 10 (2)	10	7	24	C	10	10	7 1/2"	24	C	10	10	7 1/2"	26	D	10	10	7 1/2"	30	E	10	10	7 1/2"	24	E	9	10	8 1/2"	30	F	9	10	8 1/2"
107	26	D	11 (1) 10 (2)	10	7	26	D	11 (1) 10 (2)	10	7	26	D	10	10	7 1/2"	26	D	10	10	7 1/2"	30	E	10	10	7 1/2"	26	E	9	10	8 1/2"	30	F	9	10	8 1/2"
108	26	D	11 (1) 10 (2)	10	7	26	D	11 (1) 10 (2)	10	7	26	D	10	10	7 1/2"	26	D	10	10	7 1/2"	30	E	10	10	7 1/2"	26	E	9	10	8 1/2"	30	F	9	10	8 1/2"
109	28	D	11 (1) 10 (2)	10	7	28	D	11 (1) 10 (2)	10	7	28	D	10	10	7 1/2"	28	D	10	10	7 1/2"	30	E	10	10	7 1/2"	34	F	10	10	7 1/2"	30	F	9	10	8 1/2"
110	28	D	11 (1) 10 (2)	10	7	28	D	11 (1) 10 (2)	10	7	28	D	10	10	7 1/2"	28	D	10	10	7 1/2"	30	E	10	10	7 1/2"	34	F	10	10	7 1/2"	30	F	9	10	8 1/2"
111	30	F	12 (1) 10 1/2" (2)	10	6	30	F	11 (1) 10 1/2" (2)	10	6 1/2"	30	F	11 (1) 10 1/2" (2)	10	7	30	E	10	10	7 1/2"	30	E	10	10	7 1/2"	34	F	10	10	7 1/2"	30	F	9	10	8 1/2"
112	30	F	12 (1) 10 1/2" (2)	10	6	30	F	11 (1) 10 1/2" (2)	10	6 1/2"	30	F	11 (1) 10 1/2" (2)	10	7	30	E	10	10	7 1/2"	30	E	10	10	7 1/2"	34	F	10	10	7 1/2"	30	F	9	10	8 1/2"
113	32	F	12 (1) 10 1/2" (2)	10	6	32	F	11 (1) 10 1/2" (2)	10	6 1/2"	32	F	11 (1) 10 1/2" (2)	10	7	32	E	10	10	7 1/2"	32	E	10	10	7 1/2"	34	F	10	10	7 1/2"	38	F	10	10	7 1/2"
114	32	F	12 (1) 10 1/2" (2)	10	6	32	F	11 (1) 10 1/2" (2)	10	6 1/2"	32	F	11 (1) 10 1/2" (2)	10	7	32	E	10	10	7 1/2"	32	E	10	10	7 1/2"	34	F	10	10	7 1/2"	38	F	10	10	7 1/2"
115	34	F	12 (1) 10 1/2" (2)	10	6	34	F	11 (1) 10 1/2" (2)	10	6 1/2"	34	F	11 (1) 10 1/2" (2)	10	7	34	F	10	10	7 1/2"	34	F	10	10	7 1/2"	34	F	10	10	7 1/2"	38	F	10	10	7 1/2"
116	34	F	12 (1) 10 1/2" (2)	10	6	34	F	11 (1) 10 1/2" (2)	10	6 1/2"	34	F	11 (1) 10 1/2" (2)	10	7	34	F	10	10	7 1/2"	34	F	10	10	7 1/2"	34	F	10	10	7 1/2"	38	F	10	10	7 1/2"
117	36	F	12 1/2" (1) 10 1/2" (2)	10	6	36	F	11 1/2" (1) 10 1/2" (2)	10	6 1/2"	36	F	11 1/2" (1) 10 1/2" (2)	10	7	36	F	10	10	7 1/2"	36	F	10	10	7 1/2"	36	F	10	10	7 1/2"	38	F	10	10	7 1/2"
118	36	F	12 1/2" (1) 10 1/2" (2)	10	6	36	F	11 1/2" (1) 10 1/2" (2)	10	6 1/2"	36	F	11 1/2" (1) 10 1/2" (2)	10	7	36	F	10	10	7 1/2"	36	F	10	10	7 1/2"	36	F	10	10	7 1/2"	38	F	10	10	7 1/2"
119	38	F	12 1/2" (1) 10 1/2" (2)	10	6	38	F	11 1/2" (1) 10 1/2" (2)	10	6 1/2"	38	F	11 1/2" (1) 10 1/2" (2)	10	7	38	F	10	10	7 1/2"	38	F	10	10	7 1/2"	38	F	10	10	7 1/2"	38	F	10	10	7 1/2"
120	38	F	12 1/2" (1) 10 1/2" (2)	10	6	38	F	11 1/2" (1) 10 1/2" (2)	10	6 1/2"	38	F	11 1/2" (1) 10 1/2" (2)	10	7	38	F	10	10	7 1/2"	38	F	10	10	7 1/2"	38	F	10	10	7 1/2"	38	F	10	10	7 1/2"



STANDARD LINK SIZE
 UPPER: STANDARD PRECEDING SIZE LINK
 LOWER: STANDARD NEXT SIZE LINK
 (1) S/S Single Speed Doors
 (2) 2/S Two Speed Doors

EMERGENCY KEY HOLE AND "MO" INTERLOCK